



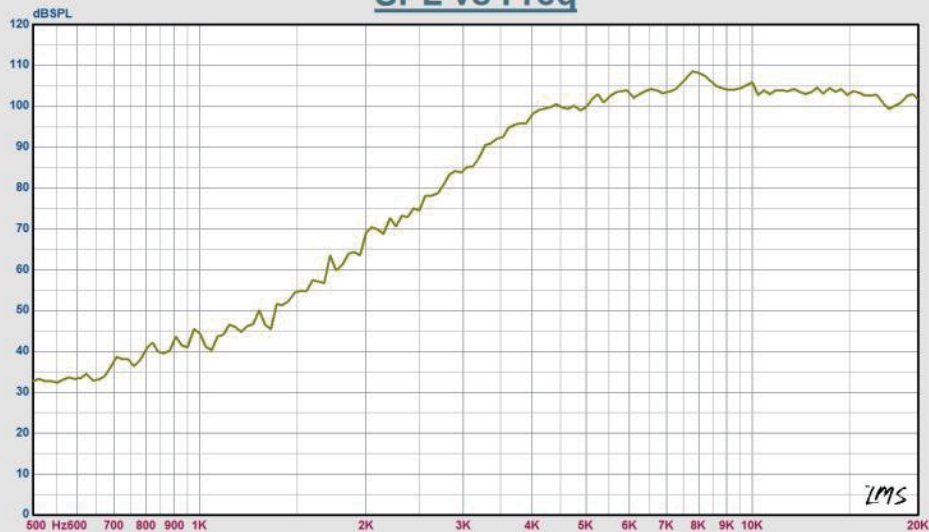
YR-TW1000

SPECIFICATIONS:

- 1.5" ALUMINIUM SUPER BULLET TWEETER
- DIE-CAST ALUMINUM BASKET WITH CNC
- 14.5 OZ Y35 FERRITE MAGNET
- ALUMINIUM DIAPHRAGM
- 1.5" HIGH TEMPERTURE KAPTON VOICE COIL
- 250WATTS RMS
- 1000WATTS MAX POWER
- IMPEDANCE 8 OHMS
- SENSITIVITY 107.2DB
- FREQUENCY RESPONSE 2.5K -18KHZ

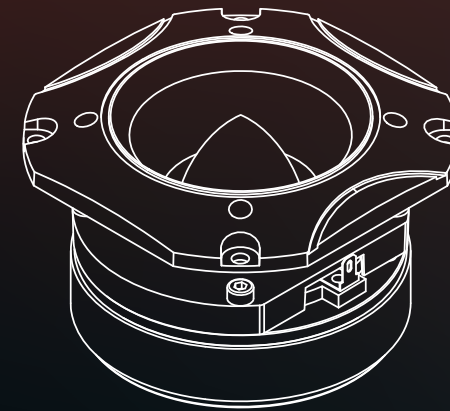
SUPERIOR SERIES

SPL vs Freq



YR-TW1000

1.5 " VOICE COIL SUPER TWEETER



CODE:1551

TWEETER GRANDE YR AUDIO SUPERIOR



Let's Rock Roll

PRODUCT MANUAL



YR-TW1000

1.5" VOICE COIL SUPER TWEETER

Specifications:

Nominal Diameter	4"
Nominal Impedance	8 ohms
MAX Power Handling	1000W
RMS Power Handling	250W
Sensitivity (1w/1m).....	107.2dB
Frequency Response	2.5Hz-18KHz

Motor:

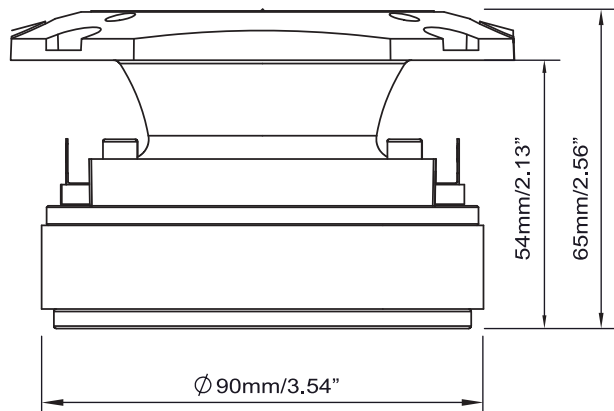
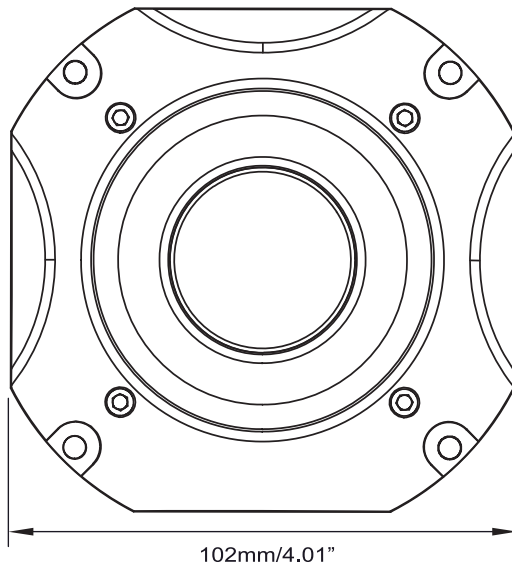
Voice Coil Diameter	1.5"/38.6 mm
Voice Coil Former Material	Kapton
Winding Material	CCAW
Cone Material	Aluminum
Surround Material	Aluminum
Basket Material	Aluminum
Magnet Material	Ferrite
Magnet Weight	14.5oz

Thiele & Small Parameters:

Equivalent Volume	Vas	0.113L
Excursion	X-max.....	2.5 mm
Free Air Resonance	Fs.....	212Hz
Mechanical Factor	Qms	0.445
Electrical Factor	Qes.....	0.299
Total Factor	Qts.....	0.315
Dc Resistance	Re	5.8 ohms

Measurements

Overall Diameter	4.01"/102 mm
Front Mount Baffle Cutout	3.54"/90 mm
Mounting Depth	2.13"/54 mm
Overall Depth	2.56"/65 mm
Motor Diameter	3.54"/90mm



SUPERIOR SERIES

