



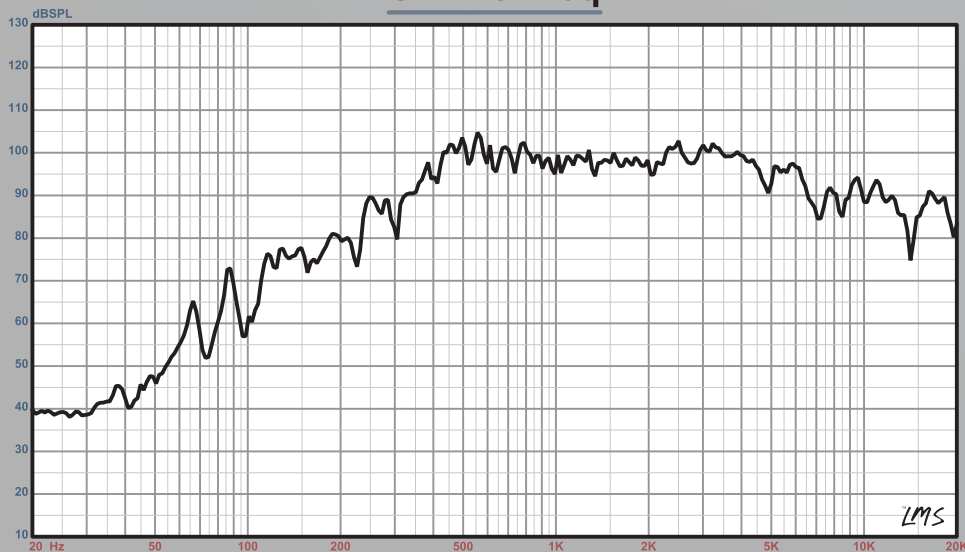
YR-MDS800

Specifications:

- 8" midrange loudspeaker
- Heavy duty steel sealed basket
- 1.5" high temperture kccaw voice coil
- Max power:1000 watts
- Installation depth: 86.5mm/3.41"
- Sensitivity: 96.2db
- Frequency response: 470-14.2khz
- Nominal impedance: 8 ohm
- Progressive cooling system

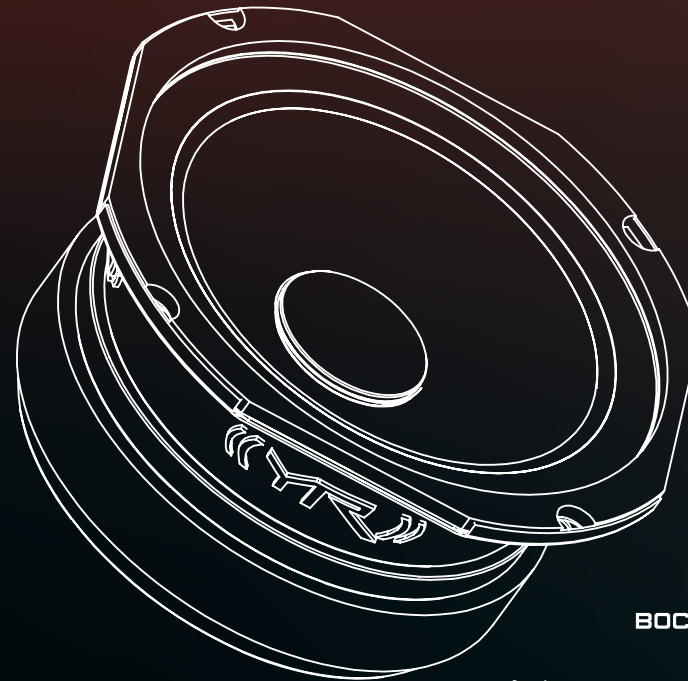
YR AUDIO SERIES

SPL vs Freq



YR-MDS800

8" MIDRANGE LOUD SPEAKER



CODE:2201

BOCINA YR AUDIO 8" 80HMS



Let's Rock Roll

PRODUCT MANUAL



YR-MDS650

6.5" MIDRANGE LOUD SPEAKER

Specifications:

Nominal Diameter	8"
Nominal Impedance	8 ohms
MAX Power Handling	1000W
RMS Power Handling	500W
Sensitivity (1w/1m)	96.2dB
Frequency Response	470Hz-14.2KHz

Motor:

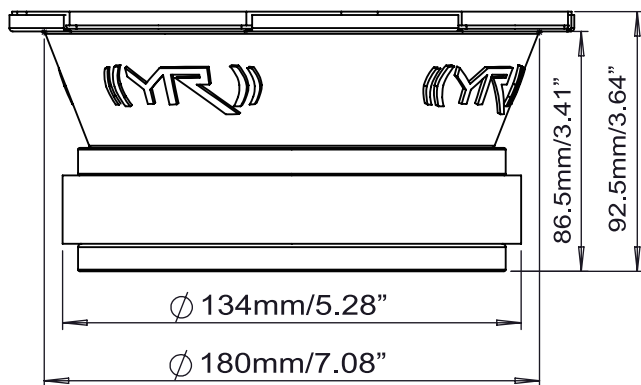
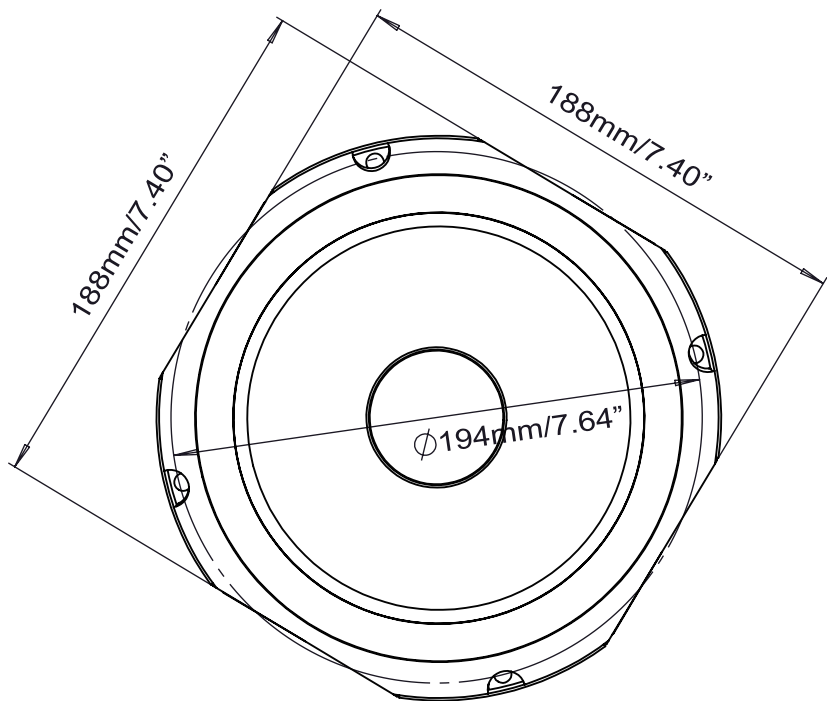
Voice Coil Diameter	1.5"/38.6 mm
Voice Coil Former Material	Glass Fiber
Winding Material	CCAW
Cone Material	Paper
Surround Material	Cloth
Basket Material	Steel
Magnet Material	Ferrite
Magnet Weight	42oz

Thiele & Small Parameters:

Equivalent Volume	Vas	12081 L
Excursion	X-max	8.5 mm
Free Air Resonance	Fs	470 Hz
Mechanical Factor	Qms	1.245
Electrical Factor	Qes	0.415
Total Factor	Qts	0.482
Dc Resistance	Re	5.2 ohms

Measurements

Overall Diameter	7.40"/188 mm
Front Mount Baffle Cutout	7.08"/180 mm
Mounting Depth	3.41"/86.5 mm
Overall Depth	3.64"/92.5 mm
Motor Diameter	5.28"/134mm



YR AUDIO SERIES

