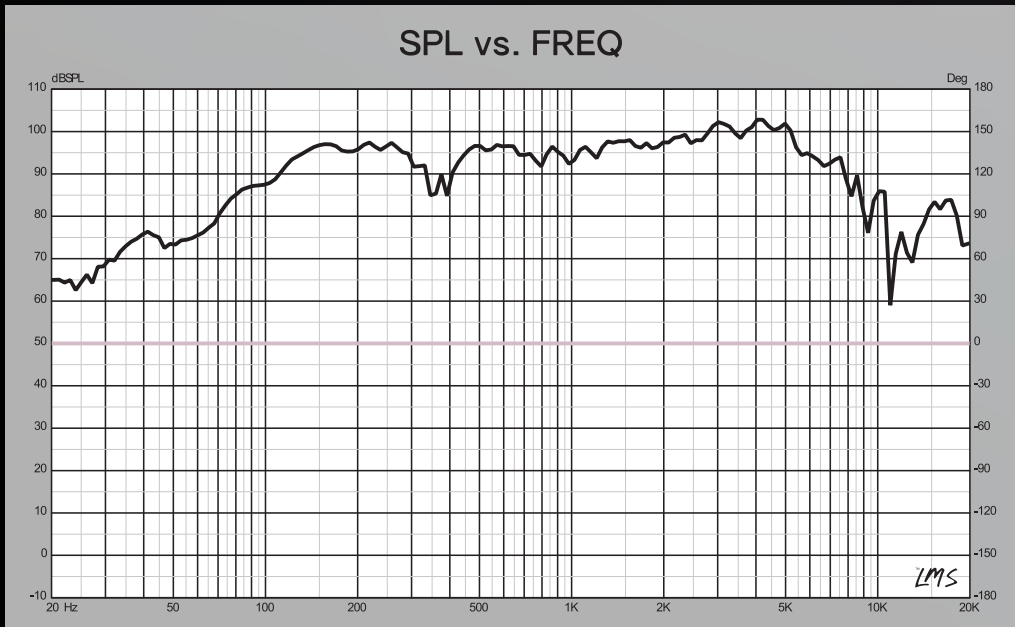




YR-ELM804

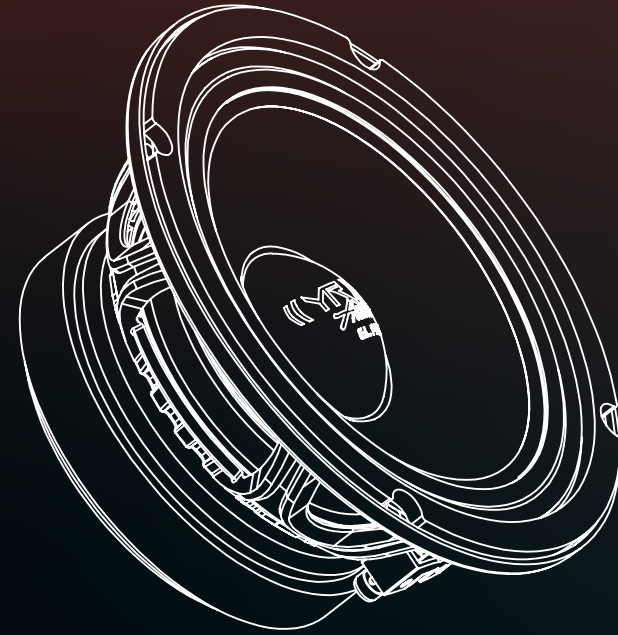
- Specifications:
- 8" midrange loudspeaker
- Heavy duty aluminum basket
- 2.0" high temperature kccaw voice coil
- Max power: 1000 watts
- Installation depth: 91mm/3.58"
- Sensitivity: 96db
- Frequency response: 100-10khz
- Nominal impedance: 4 ohm
- Progressive cooling system

# EL FINAL SERIES



## YR-ELM804

8" MIDRANGE LOUD SPEAKER



Let's Rock Roll

# PRODUCT MANUAL



# YR-ELM804

## 8" MIDRANGE LOUD SPEAKER

### Specifications:

Nominal Diameter .....	8"
Nominal Impedance .....	4 ohms
MAX Power Handling .....	1200W
RMS Power Handling .....	600W
Sensitivity (1w/1m) .....	96dB
Frequency Response .....	100Hz-10 KHz

### Motor:

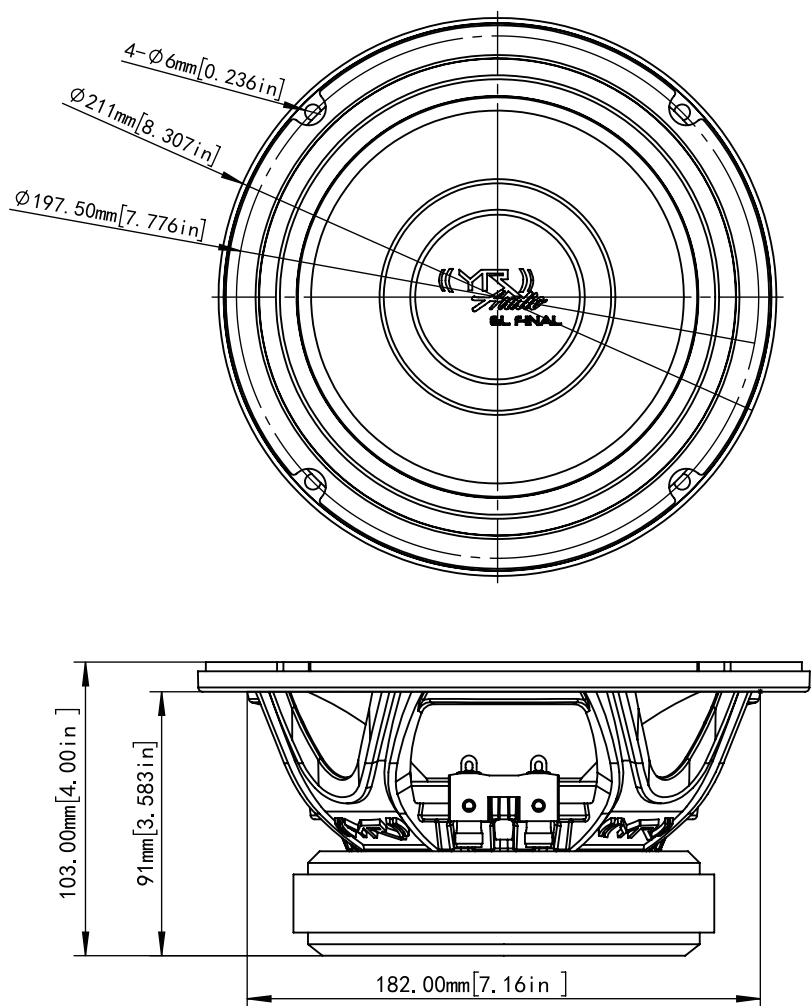
Voice Coil Diameter .....	2"/50.8mm
Voice Coil Former Material .....	Glass Fiber
Winding Material .....	CCAW
Cone Material .....	Paper
Surround Material .....	Paper
Basket Material .....	Aluminum
Magnet Material .....	Ferrite
Magnet Weight .....	49 oz

### Thiele & Small Parameters:

Equivalent Volume	Vas .....	3.872L
Excursion	X-max .....	9.2 mm
Free Air Resonance	Fs .....	94 Hz
Mechanical Factor	Qms .....	1.027
Electrical Factor	Qes .....	0.575
Total Factor	Qts .....	0.368
Dc Resistance	Re .....	3.2 ohms

### Measurements

Overall Diameter .....	212mm/8.34"
Front Mount Baffle Cutout .....	182mm/7.16"
Mounting Depth .....	91mm/3.58"
Overall Depth .....	103mm/4"
Motor Diameter .....	145mm/5.7"



EL FINAL SERIES

