



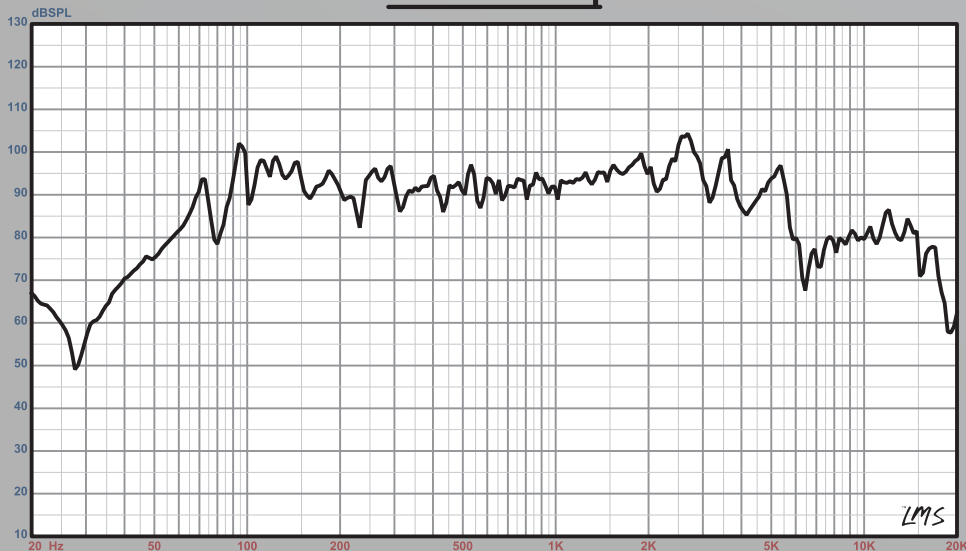
YR-MD1000

Specifications:

- 10" super midrange loudspeaker
- Heavy duty aluminum basket
- 3.0" high temperture kccaw voice coil
- Max power:1400 watts
- Installation depth: 123mm/4.84"
- Sensitivity: 94.2db
- Frequency response: 128-10.8khz
- Nominal impedance: 8 ohm
- Progressive cooling system

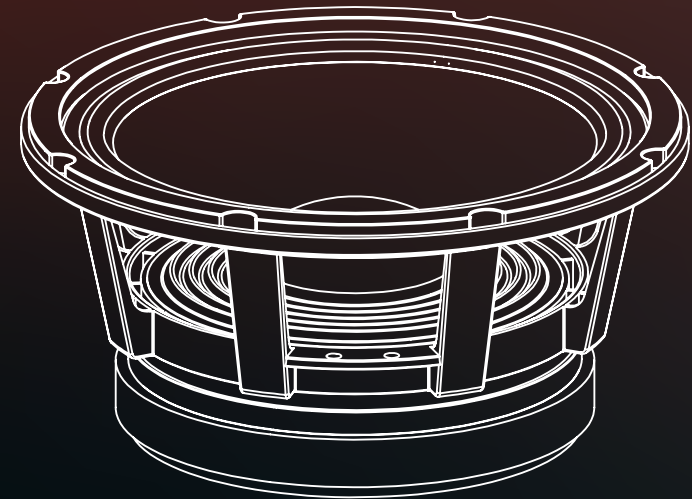
YR AUDIO SERIES

SPL vs Freq



YR-MD1000

10 " MIDRANGE LOUD SPEAKER



CODE:3196

BOCINA DE 10" VOZ 1400W



USA TECHNOLOGY



Let's Rock Roll

PRODUCT MANUAL



YR-MD1000

10" MIDRANGE LOUD SPEAKER

Specifications:

Nominal Diameter	10"
Nominal Impedance	8 ohms
MAX Power Handling	1400W
RMS Power Handling	700W
Sensitivity (1w/1m)	94.2dB
Frequency Response	128Hz-10.8KHz

Motor:

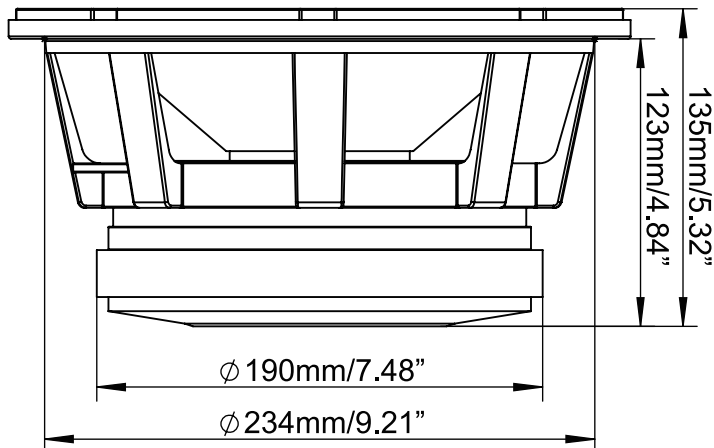
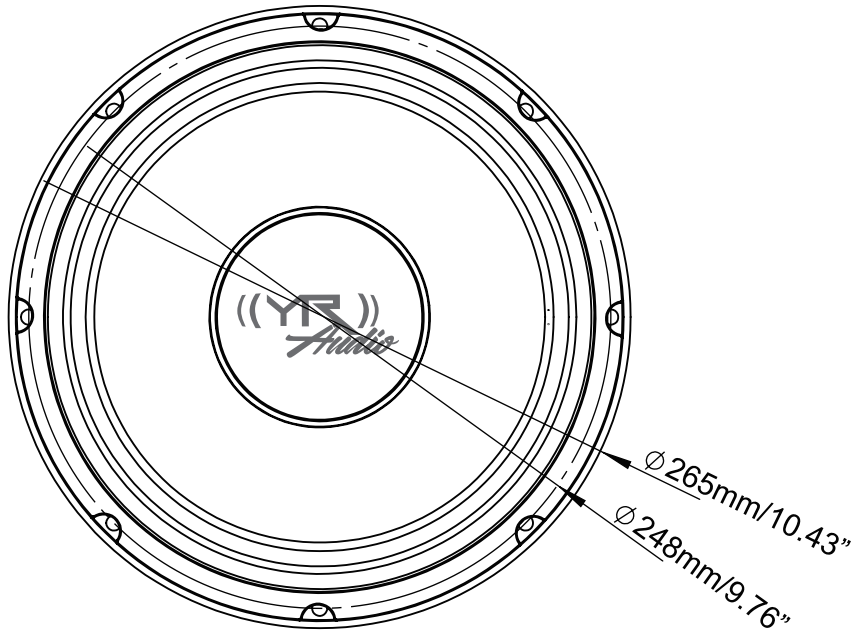
Voice Coil Diameter	3.0"/76.5 mm
Voice Coil Former Material	Glass Fiber
Winding Material	CCAW
Cone Material	Paper
Surround Material	Cloth
Basket Material	Aluminum
Magnet Material	Ferrite
Magnet Weight	80oz

Thiele & Small Parameters:

Equivalent Volume	Vas	4.513L
Excursion	X-max	12.5 mm
Free Air Resonance	Fs	126.5 Hz
Mechanical Factor	Qms	1.245
Electrical Factor	Qes	0.599
Total Factor	Qts	0.415
Dc Resistance	Re	5.2 ohms

Measurements

Overall Diameter	10.43"/265 mm
Front Mount Baffle Cutout	9.21"/234 mm
Mounting Depth	4.84"/123 mm
Overall Depth	5.32"/135 mm
Motor Diameter	7.48"/190mm



YR AUDIO SERIES

