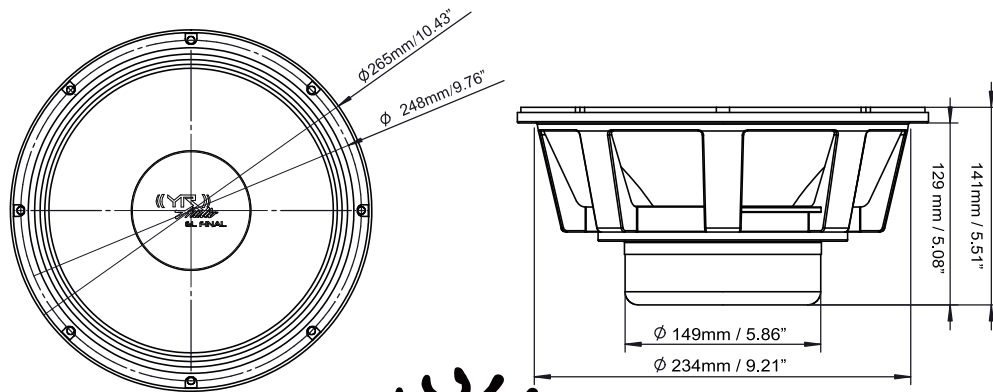
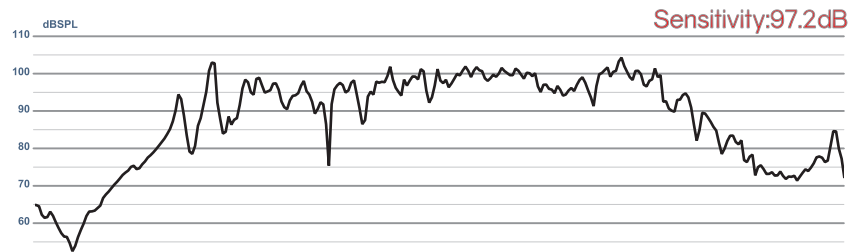


YR Audio EL FINAL

BOCINA VOZ IPAL 10" EL FINAL 1800 W 4" VOICE COIL
SPL VS FREQ



Let's Rock Roll

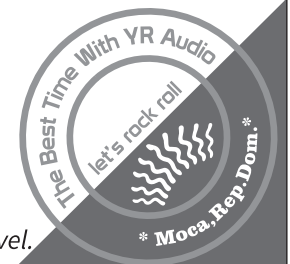
EL-IP10L

PRODUCT MANUAL

General Data		Unit
Overall Dimensions	265	mm
Mounting Depth	129	mm
Over Depth	141	mm
Baffle Cutout Diameter	234	mm
Nominal Power Handling	900	W
Maximum Power	1800	W
Sensitivity	97.2	dB
Frequency Response	68-7.2 KHz	Hz
Cone Material	Paper Cone	\
Basket	Aluminum	\
Electrical Data		
Nominal Impedance	8	OHMS
DC Resistance	5.2	OHMS
Voice Coil and Magnet Parameters		
Voice Coil Diameter	99.8	mm
Voice Coil Former Material	Glass Fiber	\
Surround Material	Cloth	\
Winding Material	CCAW	\
Motor Tpye	Y35	\
Motor Diameter	149	mm
Magnet System Type	Neodymium	\
Magnet Weigth	18	Oz
T-S Parameters		
X-max	13.5	mm
Mechanical Q Factor	1.58	Qms
Electrical Q Factor	0.353	Qes
Total Q Factor	0.231	Qts
Moving Mass	13.5	Mms
Eq.Cas AIR Load	23.76L	Vas
Resonant Frequency	72.1Hz	Fs
Displacement Volume	2.53L	L

EL-IP10L 10" NEO SUPER LOUD SPEAKER

EL FINAL SERIES



Designed by YR Audio, And Thank You For Chosen High Quality Level.