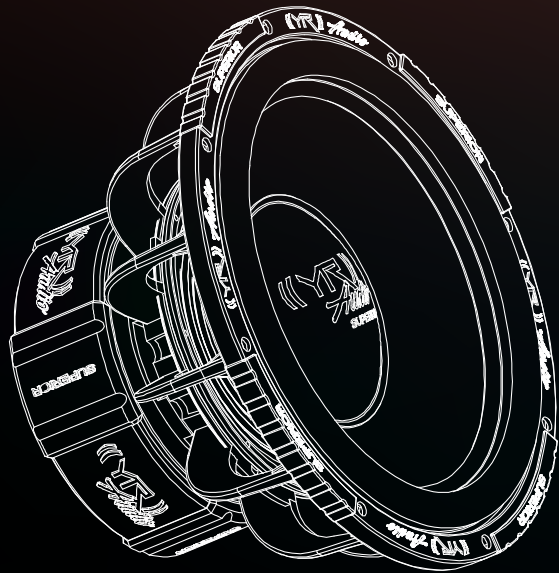
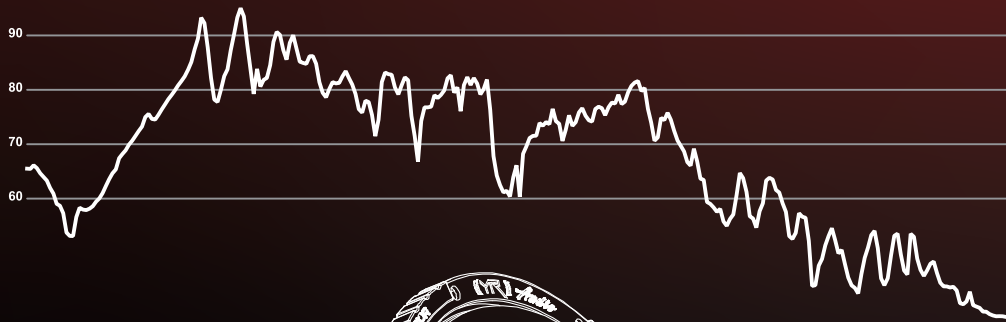


((YR))
Audio
SUPERIOR

SPL VS FREQ

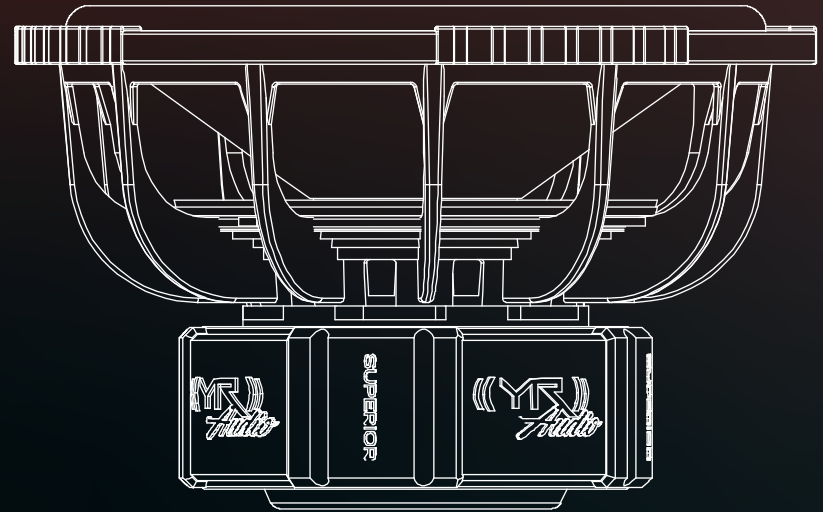


SUPERIOR SERIES

((YR))
Audio
SUPERIOR

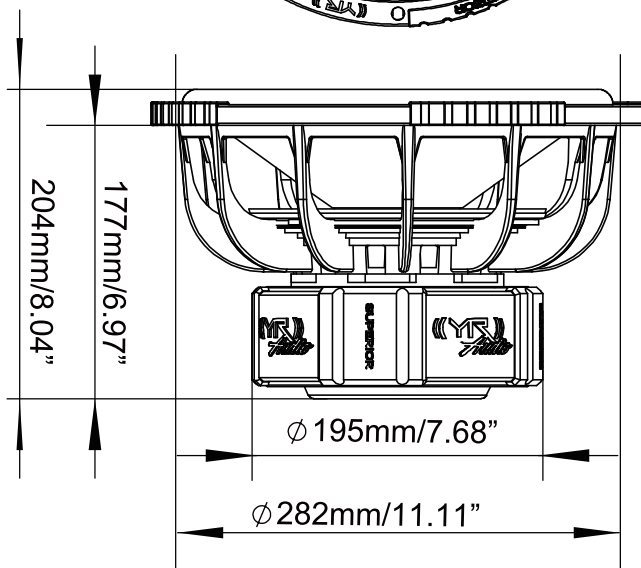
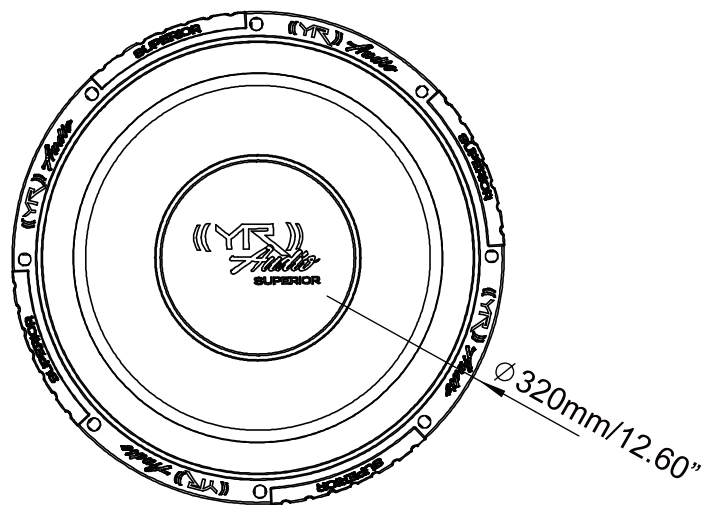
YR-SWH4000*S*

12" SUBWOOFER SUPER LOUD SPEAKER



Let's Rock Roll

PRODUCT MANUAL



General Data		Unit
Overall Dimensions	320	mm
Mounting Depth	177	mm
Over Depth	204	mm
Baffle Cutout Diameter	382	mm
Nominal Power Handling	2000	W
Maximum Power	4000	W
Sensitivity	87.8	dB
Frequency Response	60-500	Hz
Cone Material	Glass Fiber	\
Basket	Aluminum	\
Electrical Data		
Nominal Impedance	4+4	OHMS
DC Resistance	3.2+3.2	OHMS
Voice Coil and Magnet Parameters		
Voice Coil Diameter	76.5	mm
Voice Coil Former Material	Black Aluminum	\
Surround Material	Foam Edge	\
Winding Material	SV	\
Motor Tpye	Y35	\
Motor Diameter	180	mm
Magnet System Type	Ferrite	\
Magnet Weigth	\	Oz
T-S Parameters		
X-max	29.5	mm
Mechanical Q Factor	4.376	Qms
Electrical Q Factor	0.51	Qes
Total Q Factor	0.457	Qts
Moving Mass	365	Mms
Eq.Cas AIR Load	22.455L	Vas
Resonant Frequency	41Hz	Fs
Displacement Volume	2.32L	DSV

SUPERIOR SERIES

YR-SWH4000S

12" SUBWOOFER SUPER LOUD SPEAKER

