



SPL VS FREQ



MRE-1400 LED

- 8" MARINE LOUDSPEAKER WITH RGB LED LIGHT
- HIGH STRENGTH ALUMINUM BASKET
- HIGH TEMPERATURE KCCA W VOICE COIL
- PP WATERPROOF CONE WITH RUBBER EDGE
- FERRITE MAGNET MOTOR
- 1000 WATTS MAX POWER
- SENSITIVITY 92 dB
- FREQUENCY RESPONSE 43-22KHZ
- NOMINAL IMPEDANCE 8 OHMS
- RGB LED LIGHT WITH CONTROLLER

UTV AVAILABLE

RGB LED LIGHT

Marine Speaker



IP68 Waterproof

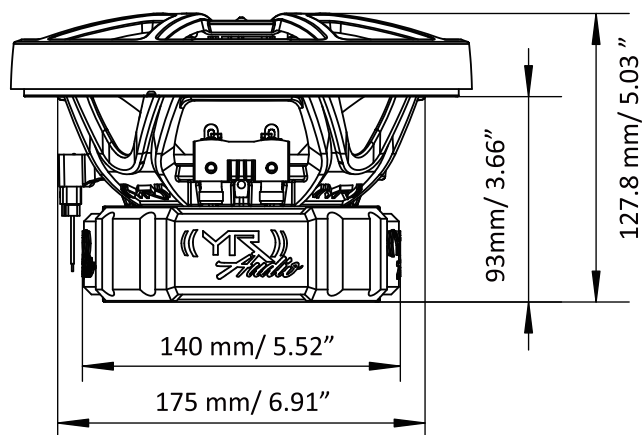
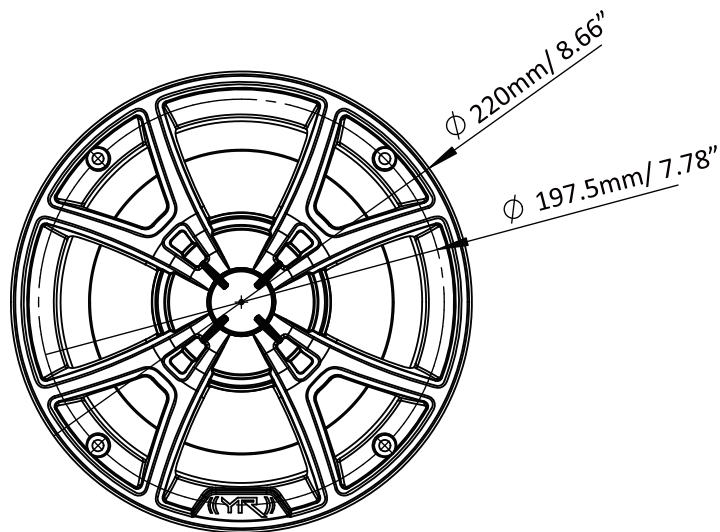
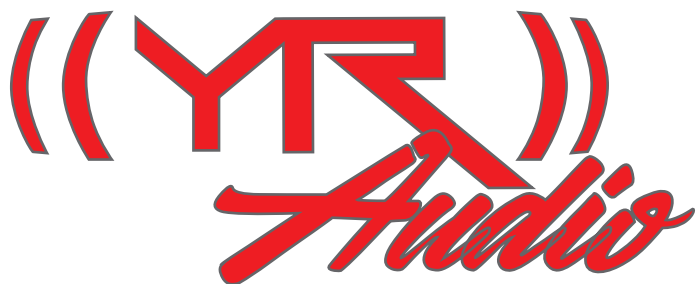
MRE-1400 LED

8" Marine Super Loud Speaker



Let's Rock Roll

PRODUCT MANUAL



General Data		Unit
Overall Dimensions	220	mm
Mounting Depth	93	mm
Over Depth	127.8	mm
Baffle Cutout Diameter	175	mm
Nominal Power Handling	700	W
Maximum Power	1400	W
Sensitivity	92	dB
Frequency Response	43-22k	Hz
Cone Material	PP Cone	\
Basket	Aluminum	\
Electrical Data		
Nominal Impedance	8	OHMS
DC Resistance	5.2	OHMS
Voice Coil and Magnet Parameters		
Voice Coil Diameter	50.8	mm
Voice Coil Former Material	Glass Fiber	\
Surround Material	Cloth	\
Winding Material	CCAW	\
Motor Tpye	Y35	\
Motor Diameter	134	mm
Magnet System Type	Ferrite	\
Magnet Weigth	50	Oz
T-S Parameters		
X-max	9.5	mm
Mechanical Q Factor	7.883	Qms
Electrical Q Factor	0.696	Qes
Total Q Factor	0.64	Qts
Displacement Volume	/	Dlv
Eq.Cas AIR Load	12.383L	Vas
Resonant Frequency	76Hz	Fs
Recommended HI Crossover	75 Hz	Hz

MARINE SPEAKER

UTV AVAILABLE

MRE-1400 LED

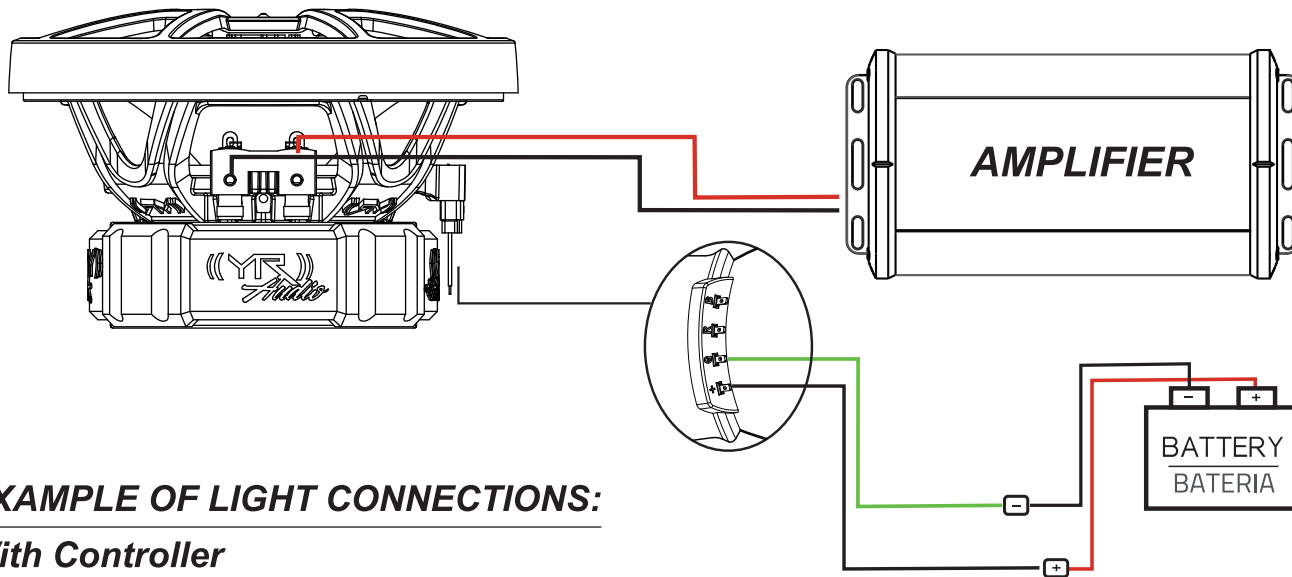
8" Marine Super Loud Speaker



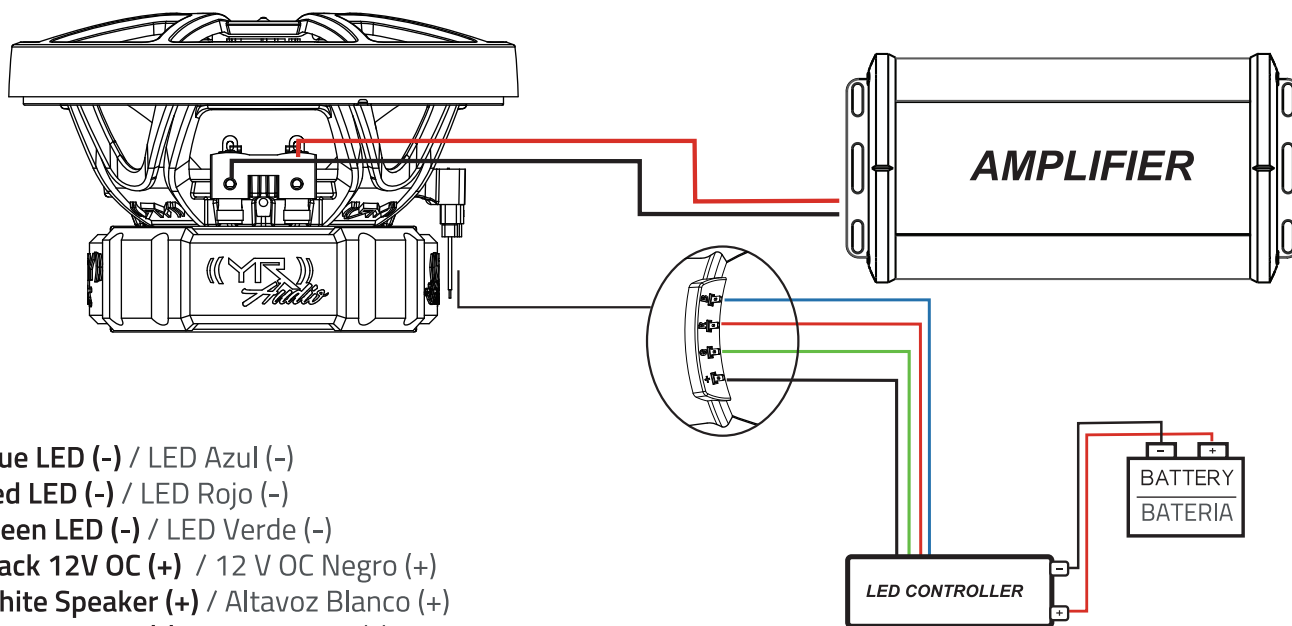
MARINE SPEAKER

UTV AVAILABLE

• EXAMPLE OF LIGHT CONNECTIONS:



• EXAMPLE OF LIGHT CONNECTIONS:
With Controller



- Blue LED (-) / LED Azul (-)
- Red LED (-) / LED Rojo (-)
- Green LED (-) / LED Verde (-)
- Black 12V OC (+) / 12 V OC Negro (+)
- White Speaker (+) / Altavoz Blanco (+)
- Grey Speaker (-) / Altavoz Gris (-)

