



SPL VS FREQ



MRE-1000 LED

- 6.5" MARINE LOUDSPEAKER WITH RGB LED LIGHT
- HIGH STRENGTH ALUMINUM BASKET
- HIGH TEMPERATURE KCCA W VOICE COIL
- PP WATERPROOF CONE WITH RUBBER EDGE
- FERRITE MAGNET MOTOR
- 1000 WATTS MAX POWER
- SENSITIVITY 86 dB
- FREQUENCY RESPONSE 43-22KHZ
- NOMINAL IMPEDANCE 8 OHMS
- RGB LED LIGHT WITH CONTROLLER

UTV AVAILABLE

RGB LED LIGHT

Marine Speaker



IP68 Waterproof

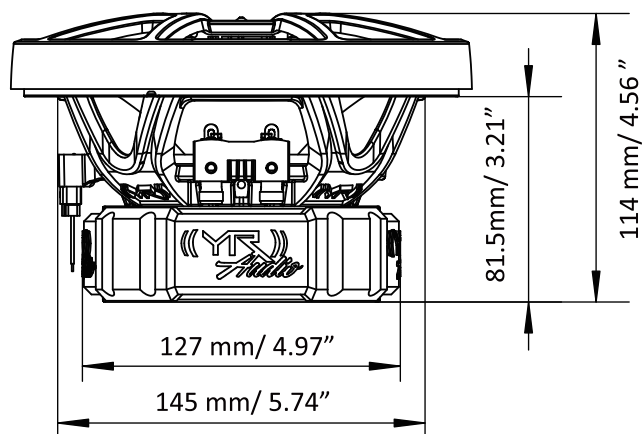
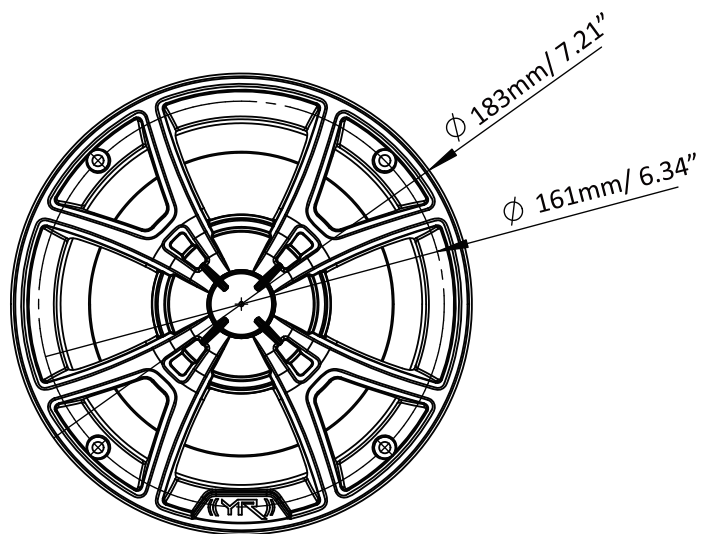
MRE-1000 LED

6.5" Marine Super Loud Speaker



Let's Rock Roll

PRODUCT MANUAL



General Data		Unit
Overall Dimensions	183	mm
Mounting Depth	81.5	mm
Over Depth	114	mm
Baffle Cutout Diameter	145	mm
Nominal Power Handing	500	W
Maximum Power	1000	W
Sensitivity	86	dB
Frequency Response	43-22k	Hz
Cone Material	PP Cone	\
Basket	Aluminum	\
Electrical Data		
Nominal Impedance	8	OHMS
DC Resistance	5.2	OHMS
Voice Coil and Magnet Parameters		
Voice Coil Diameter	38.8	mm
Voice Coil Former Material	Glass Fiber	\
Surround Material	Cloth	\
Winding Material	CCAW	\
Motor Tpye	Y35	\
Motor Diameter	120	mm
Magnet System Type	Ferrite	\
Magnet Weigth	33	Oz
T-S Parameters		
X-max	9.5	mm
Mechanical Q Factor	10.05	Qms
Electrical Q Factor	0.823	Qes
Total Q Factor	0.762	Qts
Displacement Volume	/	Dlv
Eq.Cas AIR Load	5.68L	Vas
Resonant Frequency	82Hz	Fs
Recommended HI Crossover	60 Hz	Hz

MARINE SPEAKER

UTV AVAILABLE

MRE-1000 LED

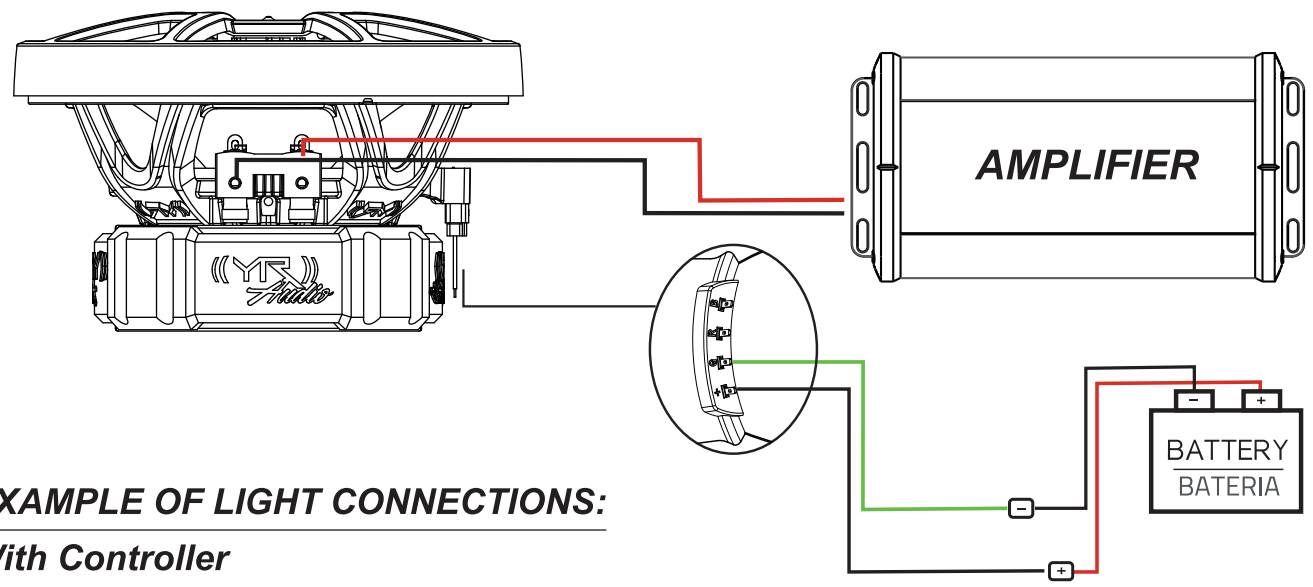
6.5" Marine Super Loud Speaker



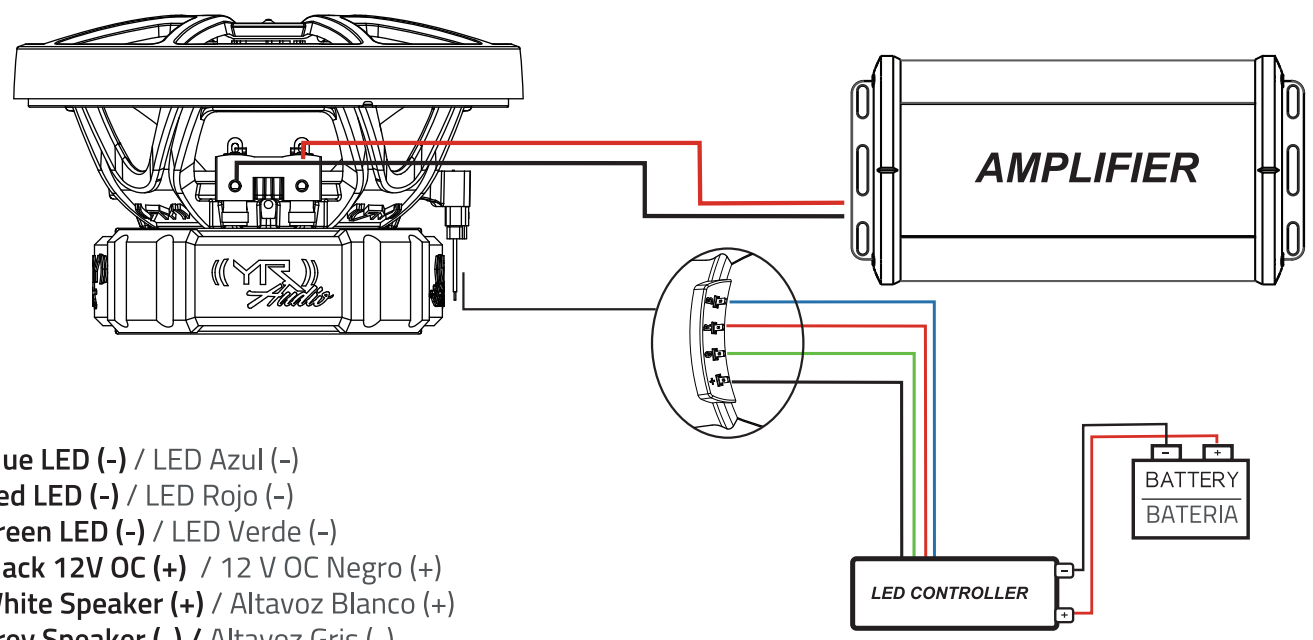
MARINE SPEAKER

UTV AVAILABLE

• EXAMPLE OF LIGHT CONNECTIONS:



• EXAMPLE OF LIGHT CONNECTIONS:
With Controller



- Blue LED (-) / LED Azul (-)
- Red LED (-) / LED Rojo (-)
- Green LED (-) / LED Verde (-)
- Black 12V OC (+) / 12 V OC Negro (+)
- White Speaker (+) / Altavoz Blanco (+)
- Grey Speaker (-) / Altavoz Gris (-)

