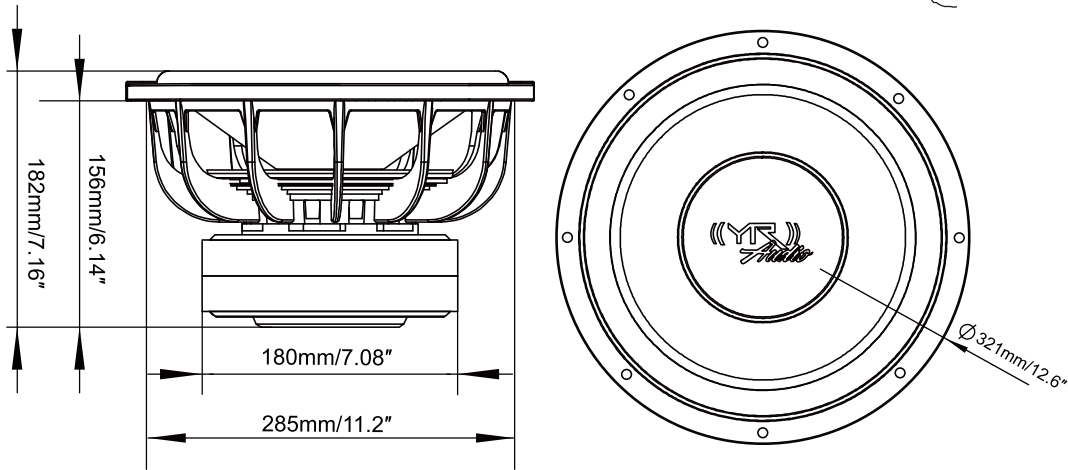
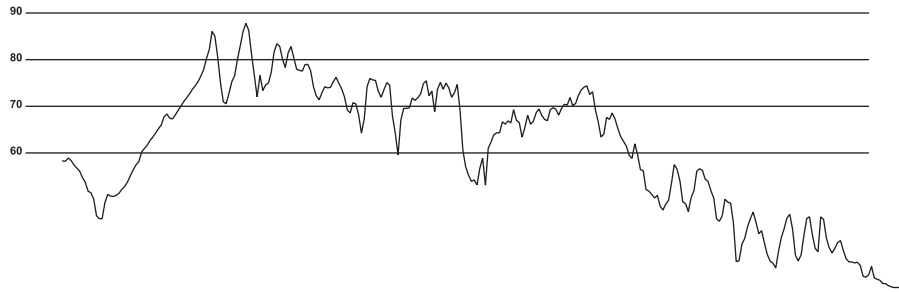




# PRODUCT MANUAL

SPL VS FREQ



General Data		Unit
Overall Dimensions	321	mm
Mounting Depth	156	mm
Over Depth	182	mm
Baffle Cutout Diameter	285	mm
Nominal Power Handling	1800	W
Maximum Power	3500	W
Sensitivity	88.5	dB
Frequency Response	41-1.5k	Hz
Cone Material	Glass Fiber	\
Basket	Aluminum	\
Electrical Data		
Nominal Impedance	4+4	OHMS
DC Resistance	3.2+3.2	OHMS
Voice Coil and Magnet Parameters		
Voice Coil Diameter	76.5	mm
Voice Coil Former Material	Black Aluminum	\
Surround Material	Foam Edge	\
Winding Material	SV	\
Motor Tpye	Y30	\
Motor Diameter	180	mm
Magnet System Type	Ferrite	\
Magnet Weigth	\	Oz
T-S Parameters		
X-max	26.5	mm
Mechanical Q Factor	7.649	Qms
Electrical Q Factor	0.791	Qes
Total Q Factor	0.717	Qts
Moving Mass	137.03	Mms
Eq.Cas AIR Load	32.577L	Vas
Resonant Frequency	47Hz	Fs
SD	530.93L	SD

**YR-SW3500** 12" subwoofer super loud speaker

YR AUDIO SERIES



Designed by YR Audio, And Thank You For Chosen High Quality Level.

