



**YR-EQ44-F**  
**4-BAND GRAPHIC EQUALIZER**  
**WITH SUBWOOFER OUTPUT**

**OWNER'S MANUAL**

---

**Please read carefully before using**



## INTRODUCTION



Congratulations and thank you for purchasing YR-EQ44-F audio equalizer, the logical choice in mobile audio equalizer. Your YR-EQ44-F audio equalizer have been designed and engineered with the highest quality components and top of the line workmanship to help you reach the superior sound you are after.

To achieve optimal performance of your system, please take a few moments to read over this Owner's manual or visit authorized dealer if needed before starting your installation.

## SPECIFICATIONS

<b>Model</b>	YR-EQPRO-V
<b>EQ center frequencies:</b>	40Hz●150Hz●1kHz●20kHz
<b>Equalization range:</b>	±18dB (boost/cut)
<b>Frequency response:</b>	20Hz-20kHz
<b>Subwoofer crossover freq.:</b>	variable 30-250Hz
<b>Signal-to-Noise Ratio:</b>	105dB
<b>EQ THD:</b>	less than 0.05%
<b>Subwoofer channel THD:</b>	less than 0.05%
<b>Channel separation:</b>	60dB
<b>Power supply:</b>	10-16V negative ground
<b>Output voltage:</b>	7V
<b>Dimensions (W x D x H):</b>	6.8"x 4.25"x 1.1"

All features are subject to change in the continuing effort to improve the products without notice.

## HOW AN EQUALIZER IS USED

The YR-EQ44-F graphic equalizer is a high-fidelity signal processor / preamplifier that allows you to graphically view and individually control a number of different frequency bands in a stereophonic system.

It is intended for use in a car audio system which includes amplifiers in the signal path AFTER the equalizer, and provides Front, Rear and Subwoofer LOW LEVEL outputs via RCA connectors.

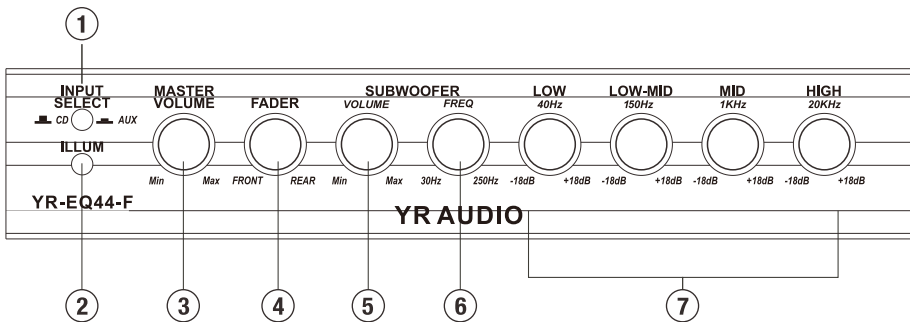


This graphic equalizer consists of several audio filters, each centered at a specific frequency in the audio range. The enables you to cut or boost the output level by up to 18dB as desired at the following frequencies:

40Hz • 150Hz • 1kHz • 20kHz

The YR-EQ44-F also features a subwoofer channel with an independent crossover control. The crossover can be set from 30Hz to 250Hz. Any signal below the frequency setting will be sent to the subwoofer outputs, allowing you to optimize the sound to suit your particular subwoofer setup. Use of the subwoofer channel is optional.

## FRONT PANEL CONTROLS AND FEATURES



### 1. INPUT SELECTOR

This button permits you to select the equalizer input source. The unit features separate rear panel RCA inputs for radio and CD/DVD players.

### 2. ILLUMINATION SELECTOR

This button permits you to select the color of the front panel illumination.

### 3. MASTER VOLUME CONTROL

Use this control to adjust the overall output volume level.

### 4. FADER

Use this control to balance the sound level between front and rear speakers as desired.

### 5. SUBWOOFER VOLUME

This control permits you to increase or decrease the output level of the subwoofer channel.

### 6. SUBWOOFER FREQUENCY

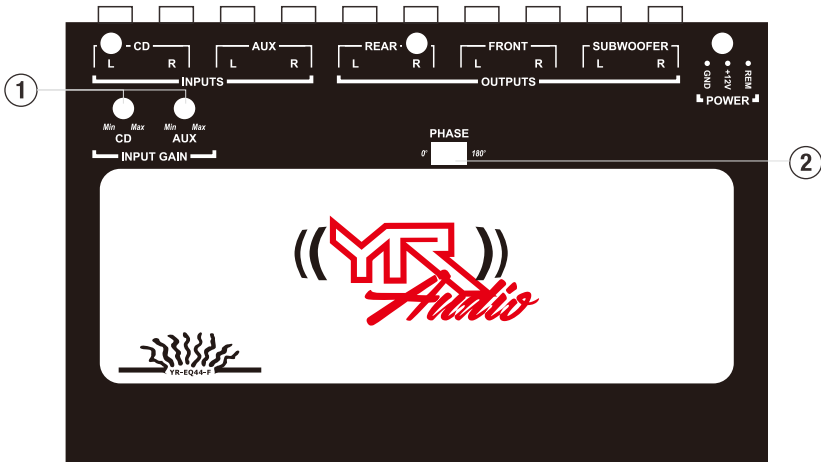
Use this knob to set the crossover frequency for the subwoofer output channel (i.e., it is a lowpass filter)

### 7. BOOST/CUT CONTROLS

Each of these controls represents a range of frequencies surrounding a center frequency to cover the audio spectrum from subwoofer frequencies to treble frequencies. Adjust these controls to suit your taste and listening environment. Each center frequency can be adjusted  $\pm 18\text{dB}$ .



## TOP PANEL CONTROLS AND FEATURES



### 1. INPUT GAIN CONTROLS

These controls permit you to balance the input gain from your input sources independently.

### 2. PHASE SHIFT SELECTOR

Select either 0° or 180° to correct for time alignment issues in your audio system.

## INSTALLATION

Before installing your new YR-EQ44-F Audio equalizer, please become familiar with all the information contained in this manual.

Choose a mounting location where the unit will not distract or otherwise interfere with the driver's ability to control the vehicle.

Use only the installation parts and hardware provided with the unit to ensure proper installation. Using other parts can cause malfunction and possible damage to your YR-EQ44-F Audio equalizer.

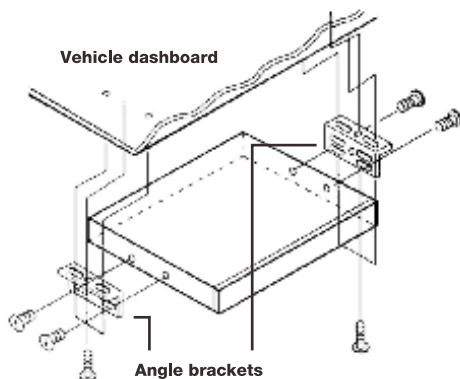
Avoid installing the unit in a location which is subject to high temperatures, direct sunlight, hot air from such sources as heaters or exhaust lines, or where it will be subject to contact, with dust, dirt, moisture or excessive vibration.



## MOUNTING THE EQUALIZER



The YR-EQ44-F is designed to be installed to the underside of your vehicle dashboard or other similar surface using the screws and brackets provided. Install the unit securely, according to the diagram below.



## TURNING ON THE POWER

The YR-EQPRO-F has internal ON/OFF circuitry which responds to turning ON or OFF the head unit of your car audio system. This requires that your head unit have a remote turn-on lead available on the rear panel (which most head units have).

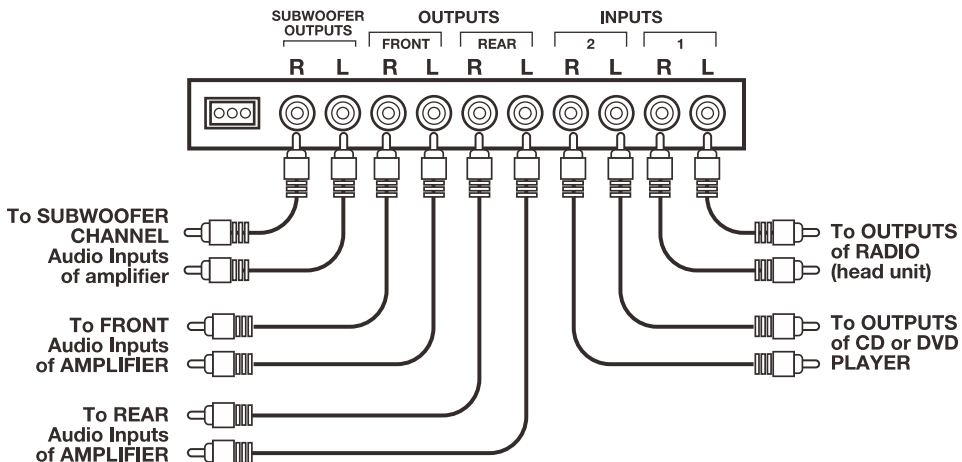
With this convenient remote turn-on/off feature, you never have to worry about turning off the power to the equalizer when you shut off the audio system.



## AUDIO CONNECTIONS



Review the diagrams on the next two pages and connect the unit as shown.



## POWER CONNECTIONS

Please note that this equalizer contains an internal ON/OFF switch, which is activated when the head unit is turned on. For this reason, in order to use this equalizer, your head unit must have a remote-turn on lead.

