



MDR-650

6.5" MIDRANGE LOUD SPEAKER WITH DRIVER

MIDRANGE SPECIFICATIONS:

6.5" MIDRANGE WITH DRIVER LOUDSPEAKER

HIGH STRENGTH ALUMINUM BASKET

2.0" HIGH TEMPERATURE CCAW VOICE COIL

300 WATTS RMS POWER

650 WATTS MAX POWER

SENSITIVITY 87 dB

IMPEDANCE: 8 OHMS

PROGRESSIVE COOLING SYSTEM

DRIVER SPECIFICATIONS:

36MM HIGH PERFORMANCE DIAPHRAGM

SENSITIVITY 100 dB

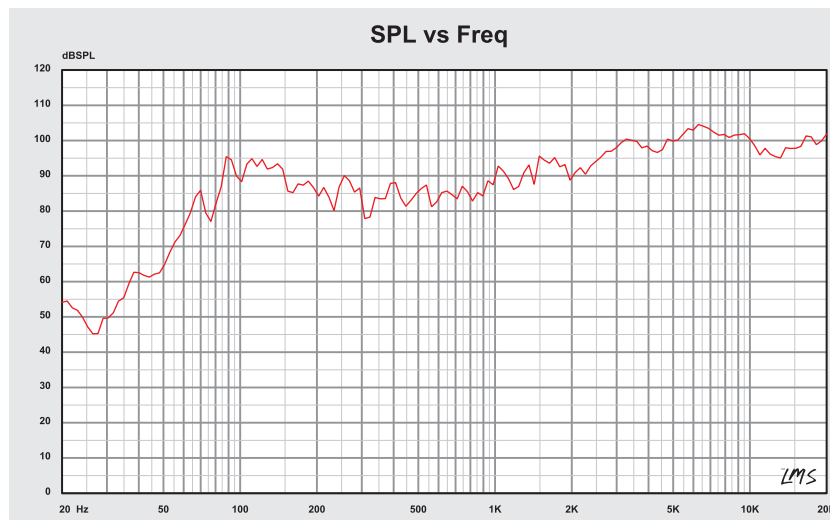
IMPEDANCE: 8 OHMS

PROGRESSIVE COOLING SYSTEM

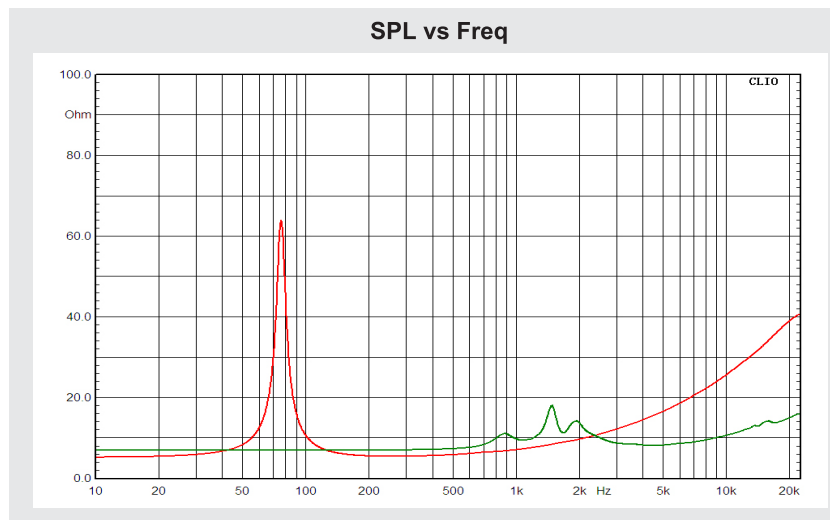


Let's Rock Roll

PRODUCT MANUAL

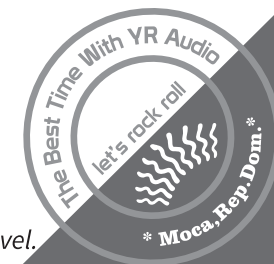


Midrange SPL & Freq



Driver SPL & Freq

YR AUDIO SERIES
MDR-650 6.5" MIDRANGE LOUD SPEAKER WITH DRIVER



Designed by YR Audio, And Thank You For Chosen High Quality Level.



MDR-650

6.5" MIDRANGE LOUD SPEAKER WITH DRIVER

Specifications:

Nominal Diameter	6.5"
Nominal Impedance	8 ohms
MAX Power Handling	300W
RMS Power Handling	650W
Sensitivity (1w/1m).....	87dB
Frequency Response	90Hz-20KHz

Midrange Motor:

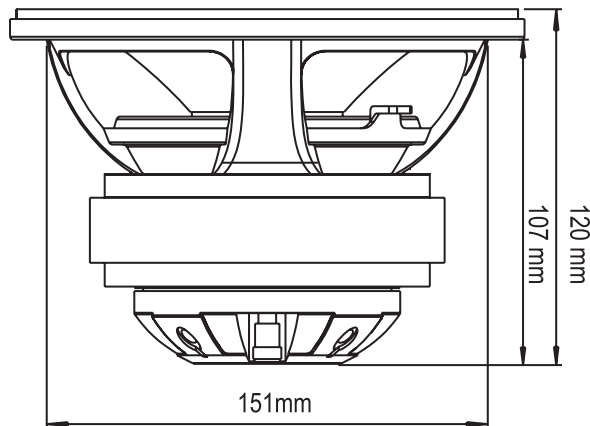
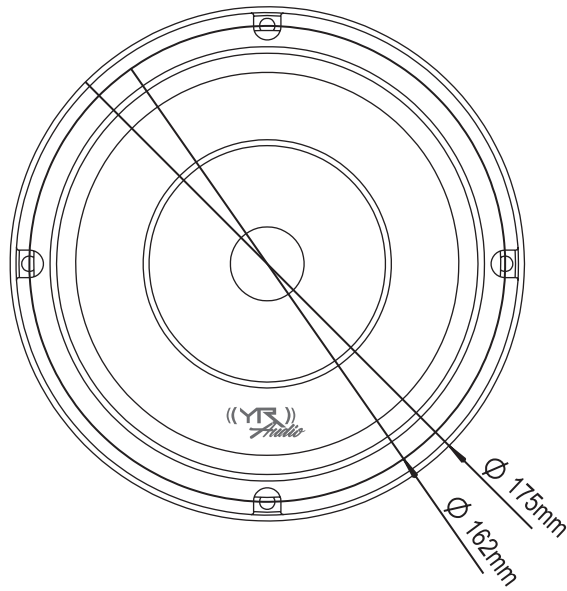
Voice Coil Diameter.....	2.0"/50.8 mm
Voice Coil Former Material	Glass Fiber
Winding Material	CCAW
Cone Material.....	Paper
Surround Material	Cloth
Basket Material	Aluminum
Magnet Material.....	Ferrite
Magnets Size.....	45 oz

Thiele & Small Parameters:

Equivalent Volume	Vas	3.987 L
Excursion	X-max.....	8.8 mm
Free Air Resonance	Fs.....	106 Hz
Mechanical Factor	Qms	4.804
Electrical Factor	Qes.....	1.576
Total Factor	Qts.....	1.187
Dc Resistance	Re	4.6 ohms

Measurements

Overall Diameter	6.88"/175 mm
Front Mount Baffle Cutout	5.94"/151 mm
Mounting Depth	4.21"/107 mm
Overall Depth	4.72"/120 mm
Motor Diameter	5.5"/140mm



YR AUDIO SERIES

