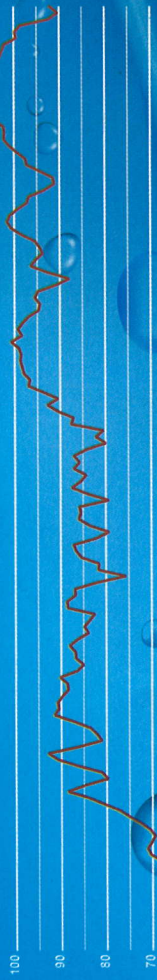


**((YTS))**  
*Audio*

SPL VS FREQ



**Speaker Specifications**

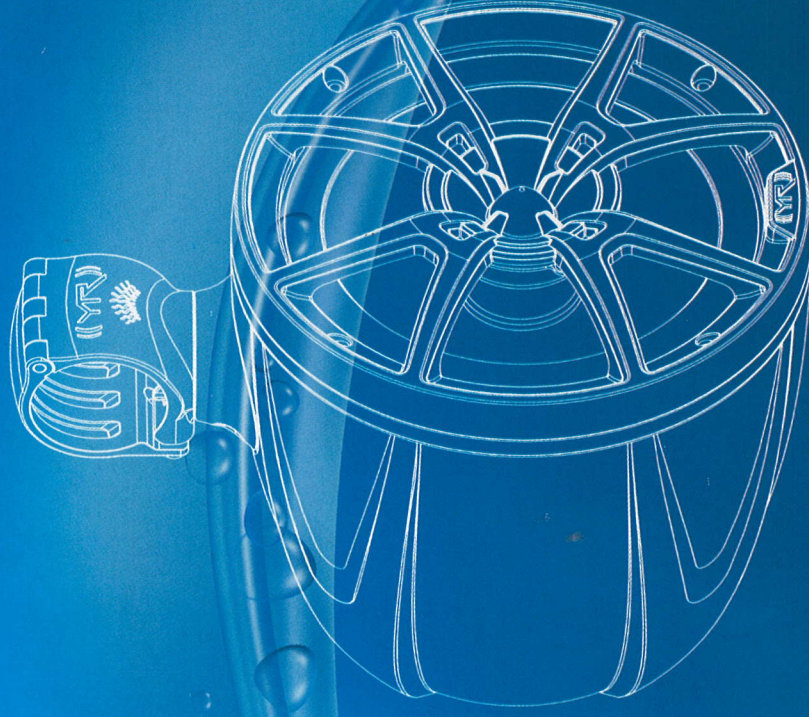
- 8" MARINE LOUDSPEAKER WITH RGB LED LIGHT
- HIGH STRENGTH ALUMINUM BASKET
- HIGH TEMPERATURE KCCAW VOICE COIL
- PP WATERPROOF CONE WITH RUBBER EDGE
- FERRITE MAGNET MOTOR
- 1000 WATTS MAX POWER
- SENSITIVITY 92 dB
- FREQUENCY RESPONSE 43-22KHZ
- NOMINAL IMPEDANCE 8 OHMS
- RGB LED LIGHT WITH CONTROLLER

UTV AVAILABLE

RGB LED LIGHT

**Marine Speaker**

**((YTS))**  
*Audio*



**MRE-1400 TOWER LED**

TOWER / FULL-RANGE 8" MARINE SPEAKER WITH LED 1400W/PAR



IP68 Waterproof



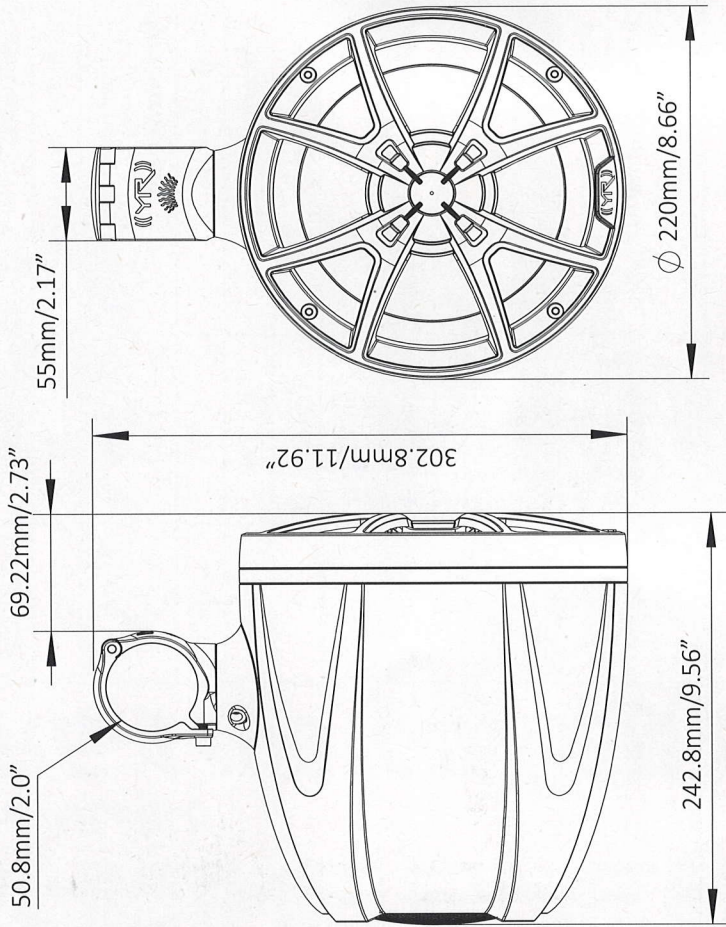
Let's Rock Roll

**PRODUCT MANUAL**

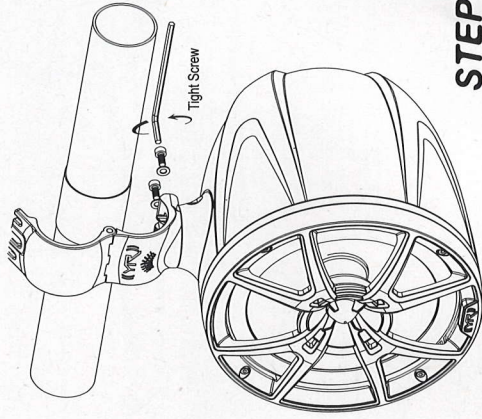
# MARINE SPEAKER



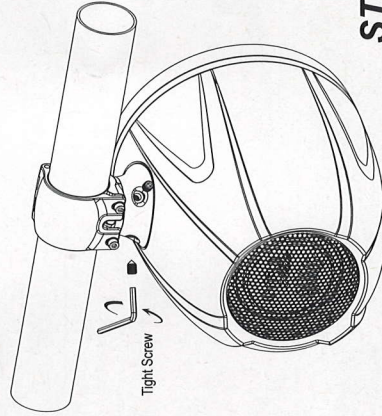
## • Tower Dimensions



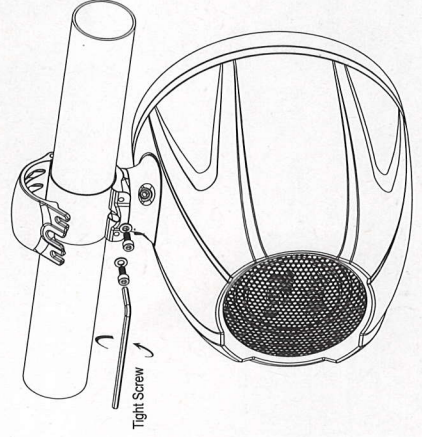
## • Install Informations



STEP 1



STEP 2



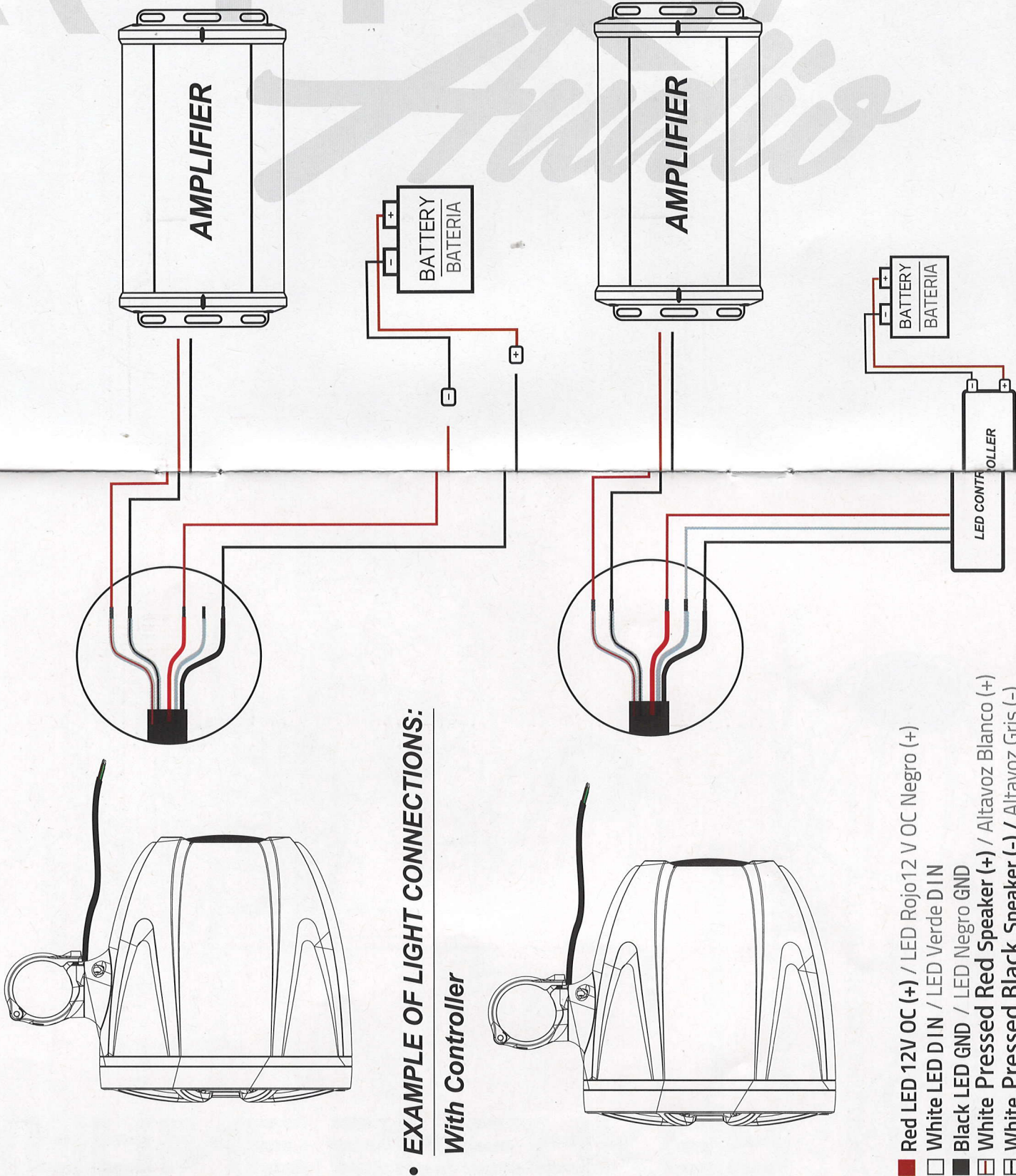
STEP 3

## • Grill Tweeter Specifications

- SPECIAL WATERPROOF DESIGN TWEETER
- 25.4 mm HIGH TEMPERATURE KCCAW VOICE COIL
- NEODYMIUM MAGNET MOTOR
- 200 WATTS MAX POWER
- SENSITIVITY 105 dB
- NOMINAL IMPEDANCE 8 OHMS

# MARINE SPEAKER

UTV AVAILABLE



• **EXAMPLE OF LIGHT CONNECTIONS:**

• **EXAMPLE OF LIGHT CONNECTIONS:**

*With Controller*

- Red LED 12V OC (+) / LED Rojo 12 V OC Negro (+)
- White LED D IN / LED Verde D IN
- Black LED GND / LED Negro GND
- White Pressed Red Speaker (+) / Altavoz Blanco (+)
- White Pressed Black Speaker (-) / Altavoz Gris (-)

# MARINE SPEAKER

UTV AVAILABLE

## MRE-1400 TOWER LED



General Data		Unit
Overall Dimensions	220	mm
Mounting Depth	93	mm
Over Depth	127.8	mm
Baffle Cutout Diameter	175	mm
Nominal Power Handling	700	W
Maximum Power	1400	W
Sensitivity	92	dB
Frequency Response	43-22k	Hz
Cone Material	PP Cone	-
Basket	Aluminum	-
<b>Electrical Data</b>		
Nominal Impedance	8	OHMS
DC Resistance	5.2	OHMS
<b>Voice Coil and Magnet Parameters</b>		
Voice Coil Diameter	50.8	mm
Voice Coil Former Material	Glass Fiber	-
Surround Material	Cloth	-
Winding Material	CCAW	-
Motor Type	Y35	-
Motor Diameter	134	mm
Magnet System Type	Ferrite	-
Magnet Weight	50	Oz
<b>T-S Parameters</b>		
X-max	9.5	mm
Mechanical Q Factor	7.883	Qms
Electrical Q Factor	0.696	Qes
Total Q Factor	0.64	Qts
Displacement Volume	/	Div
Eq. Cas AIR Load	12.383L	Vas
Resonant Frequency	76Hz	Fs
Recommended HI Crossover	75 Hz	Hz

