



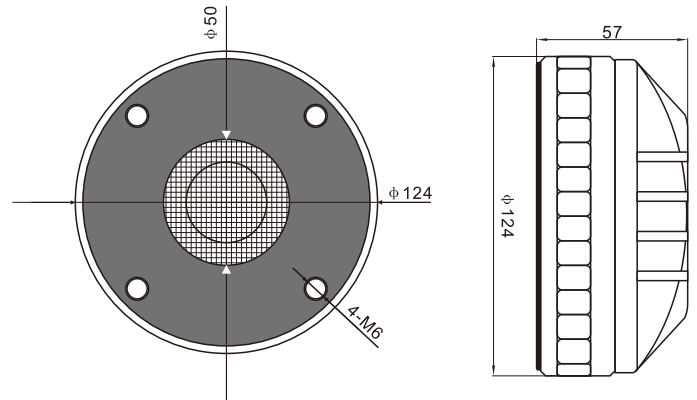
MH1500 COMPRESSION DRIVER



SPECIFICATIONS

Throat Diameter	50mm (1in)
Nominal Power(AES) ¹	120W
Program Power ²	240W
Sensitivity(1W/1m) ³	108dB
Voice Coil Diameter	75mm(3in)
Magnet Material	Neodymium Magnr
Nominal Impedance	8Ω
Frequency Range	800-20Khz
Diaphragm Material	CCAW

DIMENSION DRAWINGS



MOUNTING INFORMATION

Overall Diameter	124mm
Mounting Holes Diameter	4 *M6,101.6mm
Overall Depth	57mm
Net Weight	1.7kg

