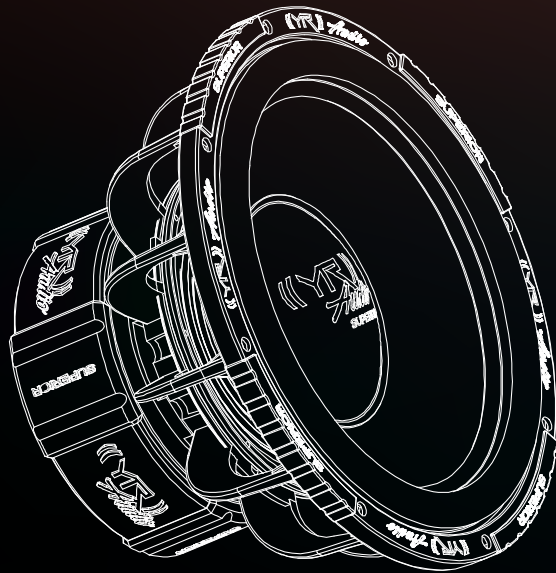




SPL VS FREQ



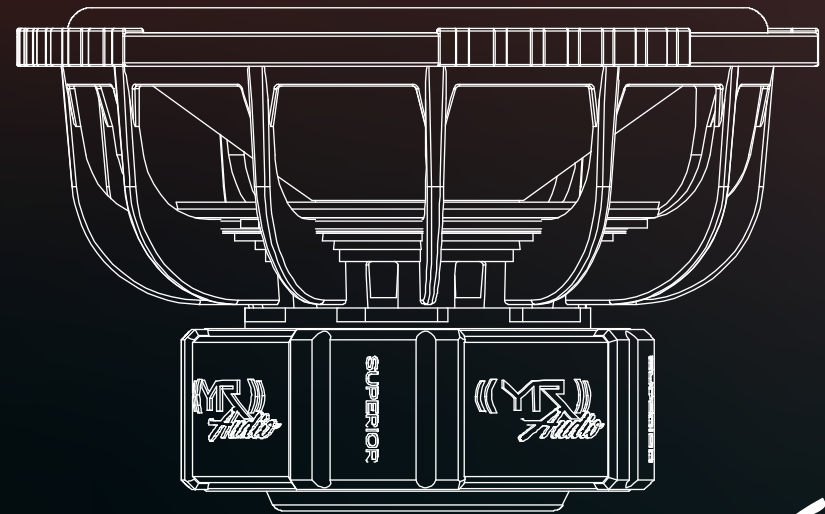
SUPERIOR SERIES



YR-SWH1500S

15" SUBWOOFER SUPER LOUD SPEAKER

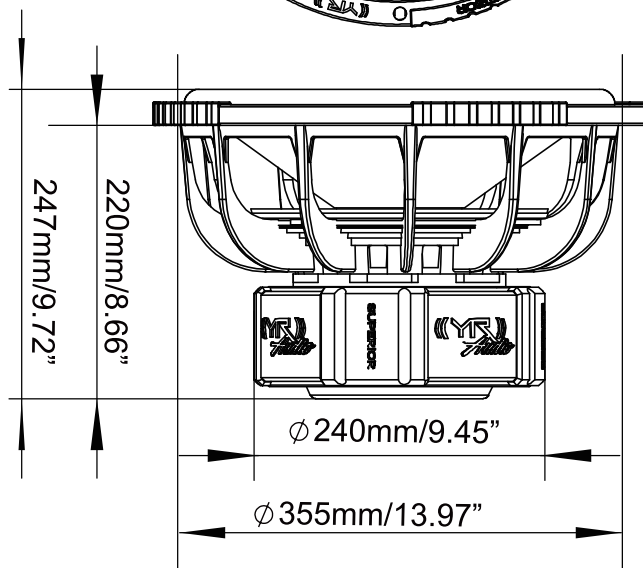
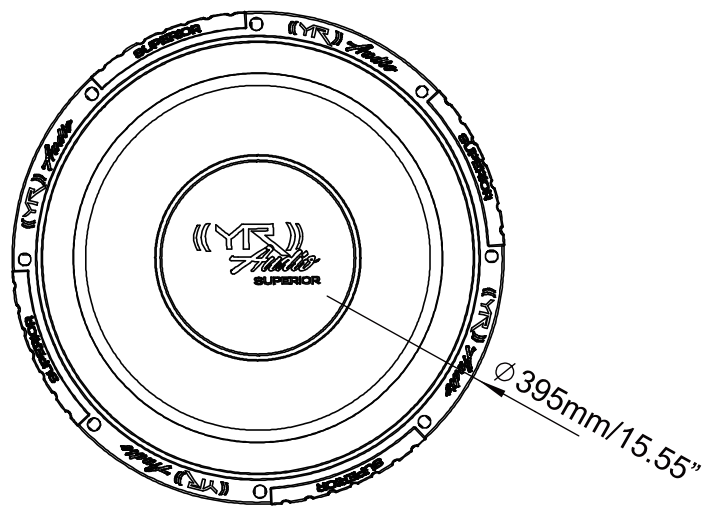
BOCINA 15" 5000W 3IMAN



Let's Rock Roll



PRODUCT MANUAL



General Data		Unit
Overall Dimensions	395	mm
Mounting Depth	220	mm
Over Depth	247	mm
Baffle Cutout Diameter	355	mm
Nominal Power Handling	2000	W
Maximum Power	5000	W
Sensitivity	92	dB
Frequency Response	35-1.2k	Hz
Cone Material	Glass Fiber	\
Basket	Aluminum	\
Electrical Data		
Nominal Impedance	4+4	OHMS
DC Resistance	3.2+3.2	OHMS
Voice Coil and Magnet Parameters		
Voice Coil Diameter	99.8	mm
Voice Coil Former Material	Black Aluminum	\
Surround Material	Foam Edge	\
Winding Material	CCAW	\
Motor Tpye	Y35	\
Motor Diameter	220	mm
Magnet System Type	Ferrite	\
Magnet Weigth	300	Oz
T-S Parameters		
X-max	37	mm
Mechanical Q Factor	7.098	Qms
Electrical Q Factor	0.68	Qes
Total Q Factor	0.62	Qts
Moving Mass	394	Mms
Eq.Cas AIR Load	24.538L	Vas
Resonant Frequency	49.2Hz	Fs
Effective Piston Area	804.25cm ²	SD

YR-SWH1500S 15" SUBWOOFER SUPER LOUD SPEAKER

SUPERIOR SERIES

