



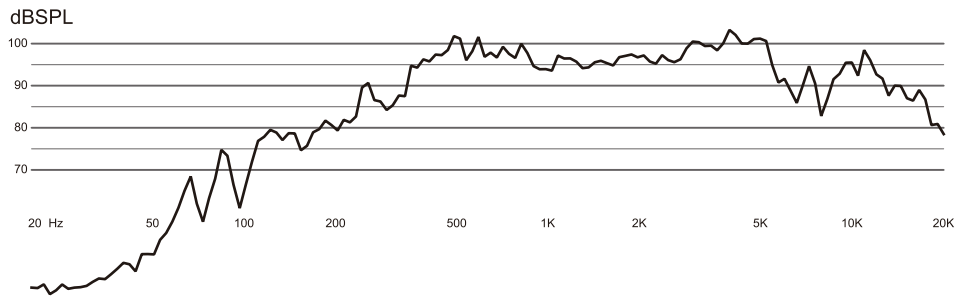
YR-MDS800R

8.0 inch Sealed Midrange Loud Speaker

Specifications:

Nominal Diameter	8 inch
Nominal Impedance	8 ohms
MAX Power Handling	1000W
RMS Power Handling	400W
Sensitivity (1w/1m)	97 dB
Frequency Response	453Hz-15.2KHz

SPL vs FREQ



Motor:

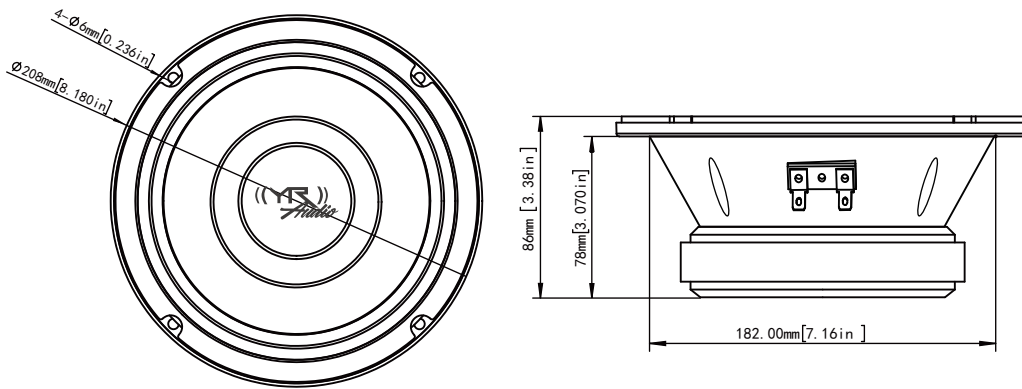
Voice Coil Diameter	2.0"/50.8 mm
Voice Coil Former Material	Kapton
Winding Material	CCAW
Cone Material	Paper
Surround Material	Cloth
Basket Material	Steel
Magnet Material	Ferrite
Magnet Size	138*20mm

Thiele & Small Parameters:

Equivalent Volume	Vas	6.176L
Excursion	X-max	8.5 mm
Free Air Resonance	Fs	422 Hz
Mechanical Factor	Qms	0.306
Electrical Factor	Qes	0.233
Total Factor	Qts	0.132
Dc Resistance	Re	5.2 ohms

Measurements

Overall Diameter	208/8.18" mm
Front Mount Baffle Cutout	182/7.16" mm
Mounting Depth	78/3.07" mm
Overall Depth	86/3.38" mm



YR AUDIO SERIES



PRODUCT MANUAL

Designed by YR Audio, And Thank You For Chosen High Quality Level.

