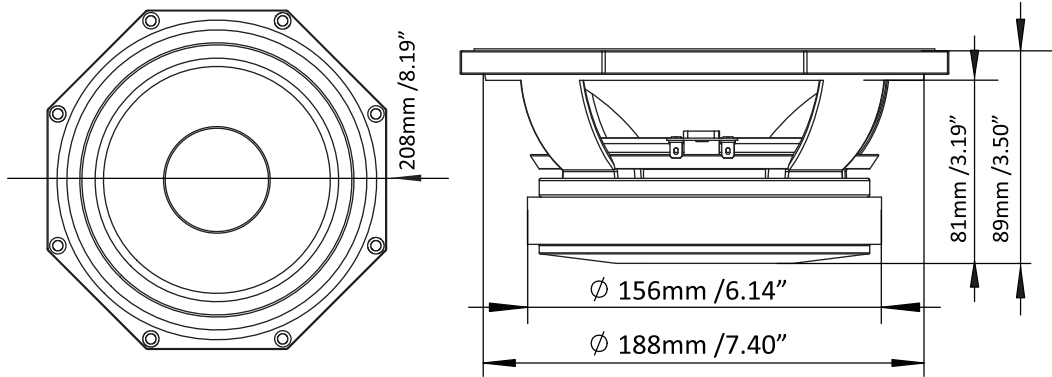
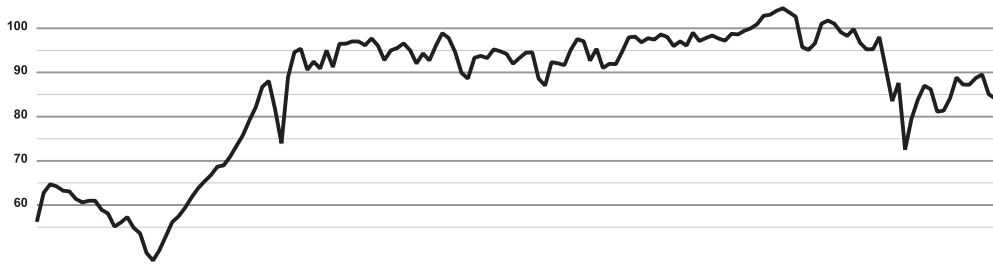


YR Audio SUPERIOR

SPL VS FREQ



Let's Rock Roll

PRODUCT MANUAL

Designed by YR Audio, And Thank You For Chosen High Quality Level.

General Data		Unit
Overall Dimensions	208	mm
Mounting Depth	81	mm
Over Depth	89	mm
Baffle Cutout Diameter	188	mm
Nominal Power Handling	550	W
Maximum Power	1400	W
Sensitivity	98	dB
Frequency Response	150-9Khz	Hz
Cone Material	Paper Cone	\
Basket	Aluminum	\
Electrical Data		
Nominal Impedance	8	OHMS
DC Resistance	5.2	OHMS
Voice Coil and Magnet Parameters		
Voice Coil Diameter	61	mm
Voice Coil Former Material	Kapton	\
Surround Material	Cloth	\
Winding Material	CCAW	\
Motor Tpye	Y35	\
Motor Diameter	156	mm
Magnet System Type	Ferrite	\
Magnet Weigth	52	Oz
T-S Parameters		
X-max	10	mm
Mechanical Q Factor	3.791	Qms
Electrical Q Factor	0.801	Qes
Total Q Factor	0.661	Qts
Moving Mass	16.342	Mms
Eq.Cas AIR Load	5.297	Vas
Resonant Frequency	141Hz	Fs
Displacement Volume	\	L

YR-MOT808S 8.0" OCTAGON MIDRANGE LOUD SPEAKER

SUPERIOR SERIES

